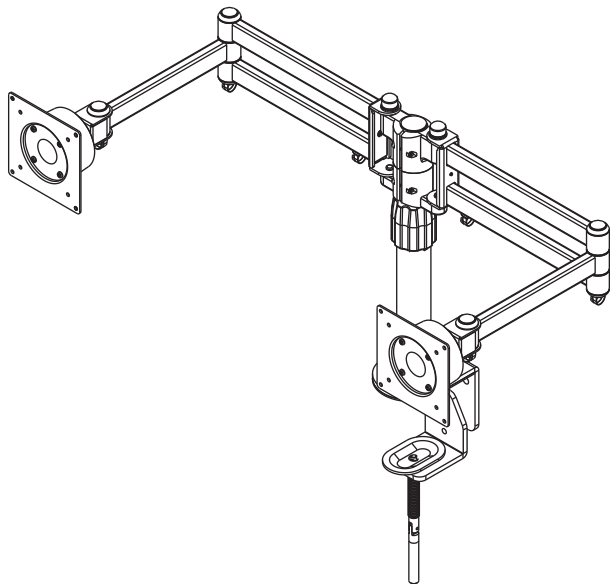
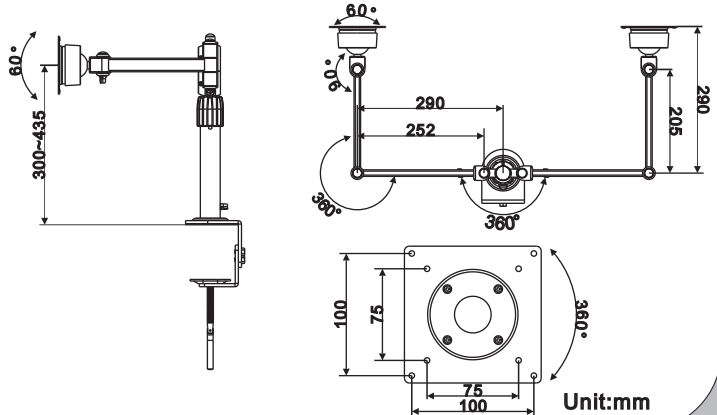


LCD Monitor Arms

Specification



1. Apply up to 26" LCD Monitor which weight is less than 15kgs and have VESA mounting
2. Easy to install with the perfect C-clamp desk mount
3. Superior flexibility and movement
4. Meets VESA standard (75x75mm and 100x100mm)
5. Horizontal moving distance: ± 540 mm
6. Vertical moving distance: 300~435mm
7. Each arm loading: 15kgs
8. Desk thickness range: 10~105mm



Parts List

MAIN PARTS

ITEM	1	2	3	4	5	6
PARTS						
			$\phi 20 \times d8$	M8	$\phi 18 \times d9$	
QTY	1	2	6	2	2	2

PARTS FOR TV BRACKETS

ITEM	7	8	9	10	11	12
PARTS						
		M4X6	M8	M5	M4X8	M4X12
QTY	7	3	1	1	8	8

- Beware of the specification as first page.
- Please choose the thickness of solid table over 10mm.
- Please evaluate the desk material whether is stable for installation.
- Recommend the other persons to hold the monitor.
- Unplug all the cables off the TV.

LCD Monitor Arms

Installation

